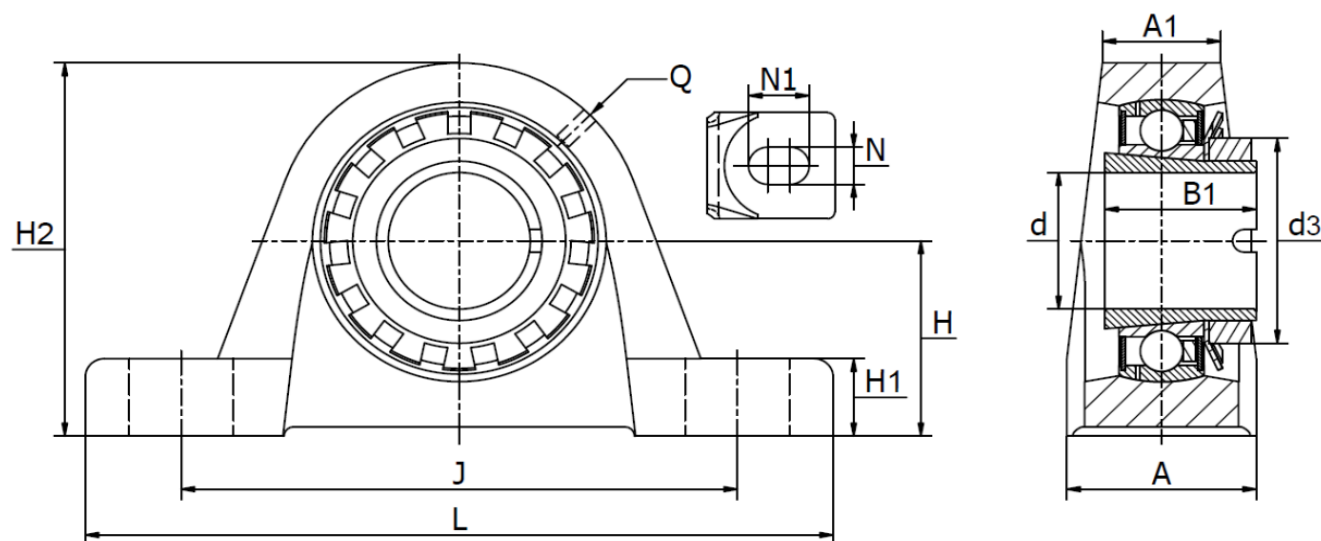




SW ... KG series (RASEA) - Plummer block housing units

Radial insert ball bearing with adapter sleeve. Temperature range -30°C to +110°C



Part No.	d	Dimensions (mm)												Bearing No. Incl. Adapt. Sleeve	Weight (kg)	Cover
	mm	L	H ₂	A	A ₁	B ₁	d _{3 max}	H	H ₁	J	N	N ₁	Q			
SW 20 KG	20	130	64	32	19	28	32	33,3	14,5	97	11	19	R1/8	GSH 20 RRB	0,51	N/A
SW 25 KG	25	130	70	36	22	28	38	36,5	14,5	103	11	19	R1/8	GSH 25 RRB	0,60	KASK05
SW 30 KG	30	158	82	40	25	32	45	42,9	17,0	118	14	22	R1/8	GSH 30 RRB	1,00	KASK06
SW 35 KG	35	163	93	45	27	34	52	47,6	19,0	126	14	21	R1/8	GSH 35 RRB	1,48	N/A
SW 40 KG	40	179	99	48	30	38	58	49,2	19,0	138	14	26	R1/8	GSH 40 RRB	1,71	KASK08
SW 45 KG	45	192	107	48	32	46	62	54,0	21,5	150	14	29	R1/8	GSH 45 RRB	2,09	KASK09
SW 50 KG	50	200	115	54	34	40	70	57,2	21,5	158	18	23	R1/8	GSH 50 RRB	2,47	KASK10