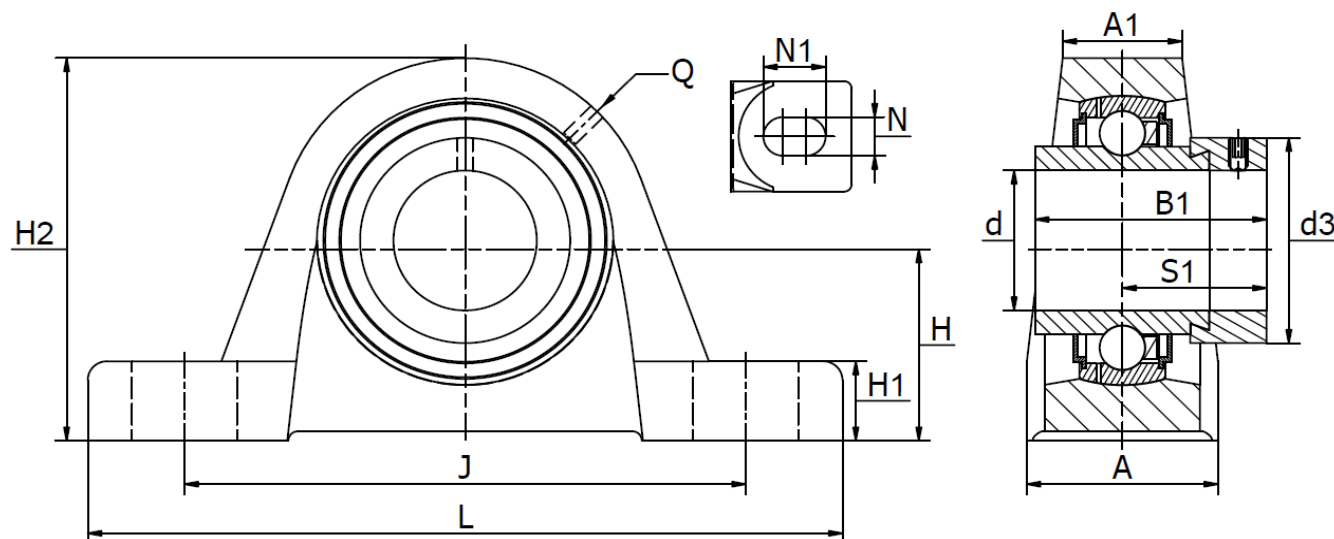




SW .. L Series (LASE) - Plummer block housing units

Cast iron housing, radial insert ball bearing with eccentric locking collar, low friction seals. Temperature range -30°C to +110°C



Part No.	d mm	Dimensions (mm)											Bearing No.	Weight (kg)	Cover		
		L	H ₂	A	A ₁	B ₁	d _{3 max}	H	H ₁	J	N	N ₁				Q	S ₁
SW 20 L-LASE20	20	130	64,0	32	19	43,7	33,0	33,3	14,5	97	11	19	R 1/8"	26,6	GE20KLLB	0,63	N/A
SW 25 L-LASE25	25	130	70,0	36	22	44,4	37,5	36,5	14,5	103	11	19	R 1/8"	27	GE25KLLB	0,76	KASK05
SW 30 L-LASE30	30	158	82,0	40	25	48,5	44,0	42,9	17,0	118	14	22	R 1/8"	30,2	GE30KLLB	1,20	KASK06
SW 35 L-LASE35	35	163	93,0	45	27	51,1	51,0	47,6	19,0	126	14	21	R 1/8"	32,3	GE35KLLB	1,60	N/A
SW 40 L-LASE40	40	179	99,0	48	30	56,3	58,0	49,2	19,0	138	14	26	R 1/8"	34,9	GE40KLLB	1,83	KASK08
SW 45 L-LASE45	45	192	107,0	48	32	56,5	63,0	54,0	21,5	150	14	29	R 1/8"	34,9	GE45KLLB	2,30	Cover Ø45
SW 50 L-LASE50	50	200	115,0	54	34	62,8	69,0	57,2	21,5	158	18	23	R 1/8"	38,1	GE50KLLB	2,82	KASK10