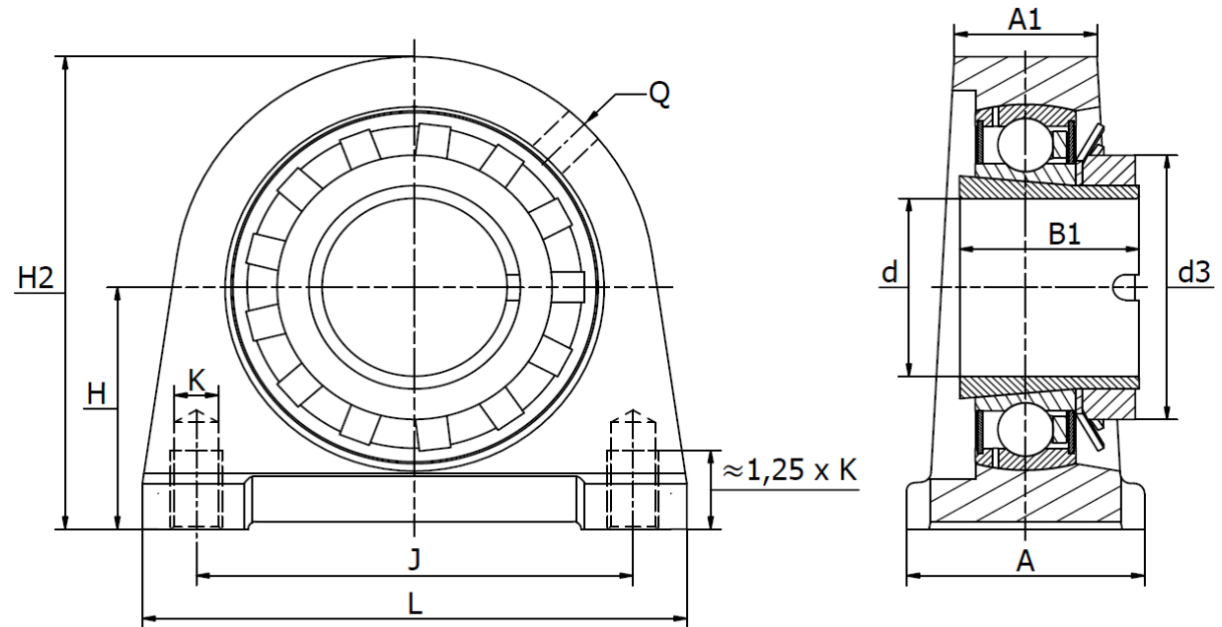




SWG .. KG Series (RSHEA)

Cast iron housing, radial insert ball bearing with adapter sleeve. Temperature range -30°C to +110°C



Product No.	d mm	Dimensions (mm)										Bearing No.	Weight (kg)
		L	H ₂	A	A ₁	B ₁	d _{3 max}	H	J	K	Q		
SWG 20 KG	20	65	64	32	19	28	32	33,3	50,8	M8	M6	GSH 20 RRB	0,51
SWG 25 KG	25	70	70	36	21	28	38	36,5	50,8	M10	Rp 1/8"	GSH 25 RRB	0,60
SWG 30 KG	30	98	82	40	25	32	45	42,9	76,2	M10	Rp 1/8"	GSH 30 RRB	1,05
SWG 35 KG	35	103	93	45	27	34	52	47,6	82,6	M10	Rp 1/8"	GSH 35 RRB	1,44
SWG 40 KG	40	116	99	48	30	38	58	49,2	88,9	M12	Rp 1/8"	GSH 40 RRB	1,84
SWG 45 KG	45	120	107	48	32	46	62	54	95,3	M12	Rp 1/8"	GSH 45 RRB	2,14
SWG 50 KG	50	135	115	54	34	40	70	57,2	101,6	M16	Rp 1/8"	GSH 50 RRB	2,79