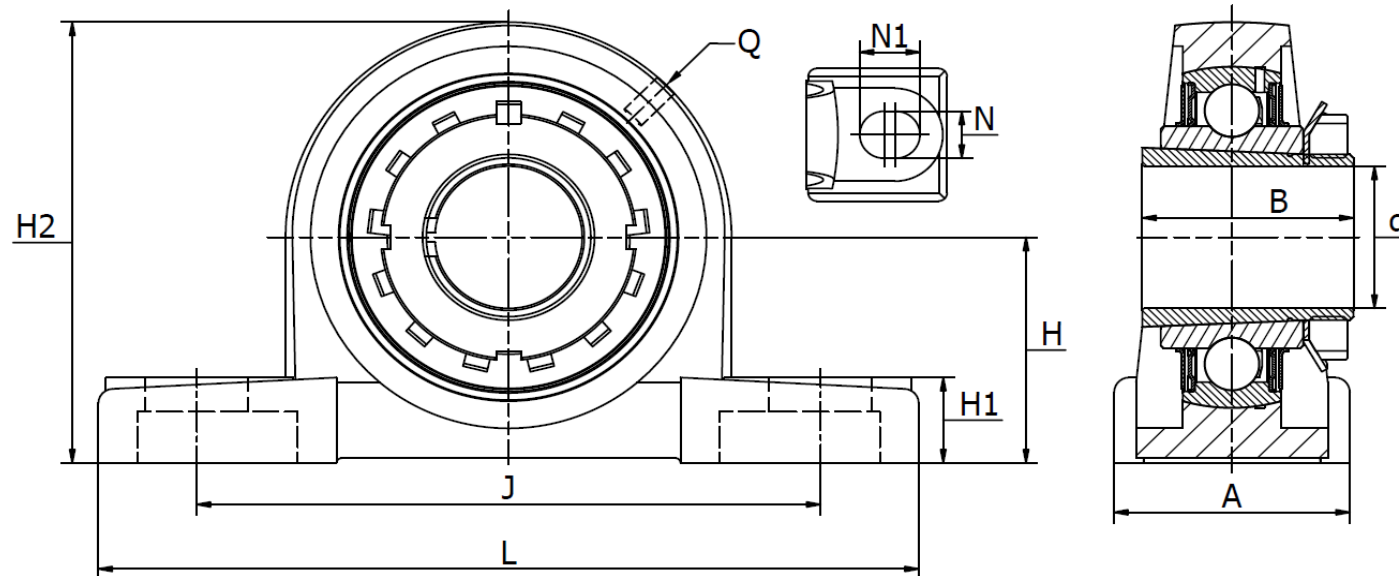
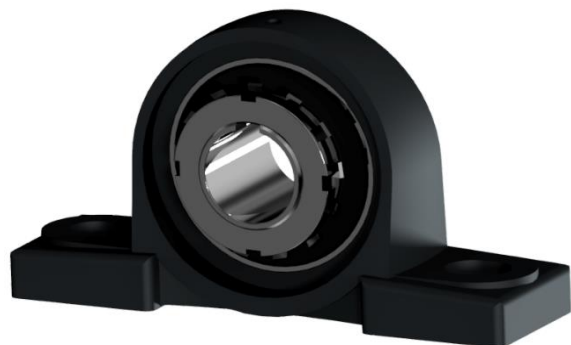




UKP 200 Series

Pillow block housing units, cast iron, for adapter sleeve locking (not included). Temperature range -30°C to +110°C



| Part No. | Dimensions (mm) | | | | | | | | | | | | Bolt size | Bearing No. | Housing No. | Adapter sleeve | Weight (kg) |
|----------|-----------------|-------|-----|------|-----|----|----------------|----------------|----------------|----|-----|-----|-----------|-------------|-------------|----------------|-------------|
| | d mm | H | L | A | J | N | N ₁ | H ₁ | H ₂ | B | Q | | | | | | |
| UKP 205 | 20 | 36,5 | 140 | 38 | 105 | 13 | 19 | 15 | 70 | 35 | M6 | M10 | UK 205 | P 205 | H 2305 | 0,84 | |
| UKP 206 | 25 | 42,9 | 165 | 48 | 121 | 17 | 21 | 17 | 83 | 38 | M6 | M12 | UK 206 | P 206 | H 2306 | 1,4 | |
| UKP 207 | 30 | 47,6 | 167 | 48 | 127 | 18 | 21 | 17 | 93 | 43 | M6 | M14 | UK 207 | P 207 | H 2307 | 1,7 | |
| UKP 208 | 35 | 49,2 | 184 | 54 | 137 | 17 | 21 | 18 | 98 | 46 | M6 | M14 | UK 208 | P 208 | H 2308 | 2 | |
| UKP 209 | 40 | 54 | 190 | 54 | 146 | 17 | 21 | 20 | 106 | 50 | M6 | M14 | UK 209 | P 209 | H 2309 | 2,3 | |
| UKP 210 | 45 | 57,2 | 206 | 60 | 159 | 20 | 25 | 21 | 114 | 55 | M6 | M16 | UK 210 | P 210 | H 2310 | 3 | |
| UKP 211 | 50 | 63,5 | 219 | 60 | 171 | 20 | 25 | 23 | 126 | 59 | M6 | M16 | UK 211 | P 211 | H 2311 | 3,7 | |
| UKP 212 | 55 | 69,8 | 241 | 70 | 184 | 20 | 25 | 25 | 138 | 62 | M6 | M16 | UK 212 | P 212 | H 2312 | 4,8 | |
| UKP 213 | 60 | 76,2 | 264 | 70 | 203 | 25 | 30 | 27 | 151 | 65 | M6 | M20 | UK 213 | P 213 | H 2313 | 5,8 | |
| UKP 215 | 65 | 82,6 | 275 | 74 | 217 | 25 | 30 | 28 | 163 | 73 | M6 | M20 | UK 215 | P 215 | H 2315 | 7,5 | |
| UKP 216 | 70 | 88,9 | 292 | 76,5 | 232 | 25 | 30 | 33 | 174 | 78 | M10 | M20 | UK 216 | P 216 | H 2316 | 9,2 | |
| UKP 217 | 75 | 95,2 | 310 | 83 | 247 | 25 | 30 | 32 | 186 | 82 | M6 | M20 | UK 217 | P 217 | H 2317 | 11 | |
| UKP 218 | 80 | 101,6 | 327 | 88 | 262 | 27 | 36 | 33 | 200 | 86 | M6 | M20 | UK 218 | P 218 | H 2318 | 13,8 | |