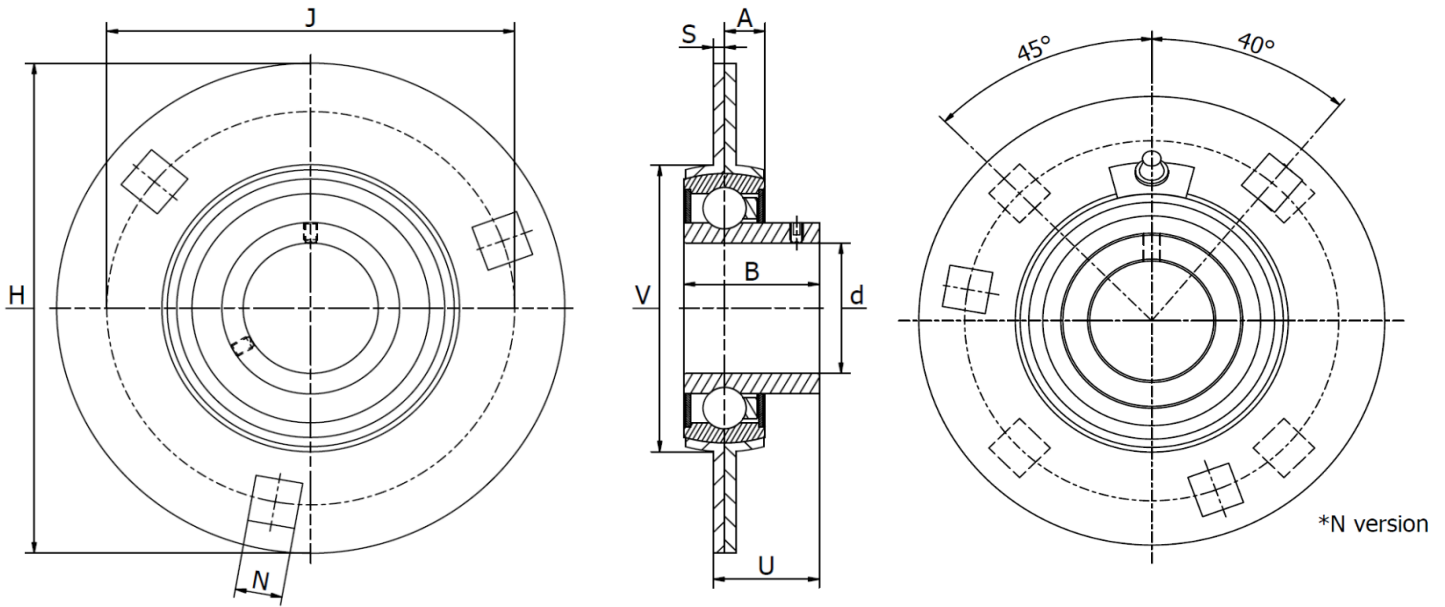


BF .. S series (RAY..)

3 & 4 hole round zinc plated sheet steel flange housing, set screw lock.

Temperature range -30°C to +110°C



Part No.	Dimensions (mm)										Bearing No.	Housing No.	Weight (kg)
	d	H	B	A	J	N	n**	S	U	V			
BF 12 S	12	81	22	7,0	63,0	7,0	3	2,0	18,0	48	SB 201	PF 203	0,17
BF 15 S	15	81	22	7,0	63,0	7,0	3	2,0	18,0	48	SB 202	PF 203	0,17
BF 17 S	17	81	22	7,0	63,0	7,0	3	2,0	18,0	48	SB 203	PF 203	0,17
BF 20 S	20	90	25	8,5	71,0	9,0	3	2,0	20,0	55	SB 204	PF 204	0,30
BF 25 S*	25	95	27	9,0	76,0	9,0	3	2,0	21,5	60	SB 205	PF 205	0,34
BF 30 S*	30	113	30	9,5	90,0	11,0	3	2,6	23,5	71	SB 206	PF 206	0,45
BF 35 S*	35	122	35	10,5	100,0	11,0	3	2,6	28,0	81	SB 207	PF 207	0,78
BF 40 S*	40	148	39,5	10,5	119,0	14,0	3/4	3,4	32,0	90	SB 208	PF 208	1,36
BF 45 S	45	149	41,5	11,0	120,6	14,0	4	3,4	36,2	95	SB 209	PF 209	1,41
BF 50 S	50	158	43,0	13,0	127,0	13,5	4	4,0	36,0	100	SB 210	PF 210	1,68
BF 60 S	60	177	47,0	14,0	148,0	13,5	4	4,0	38,0	120	SB 212	PF 212	2,13

*Also available with a grease nipple. Add a N as suffix, i.ex. BF 40 S N. | ** Number of mounting holes.