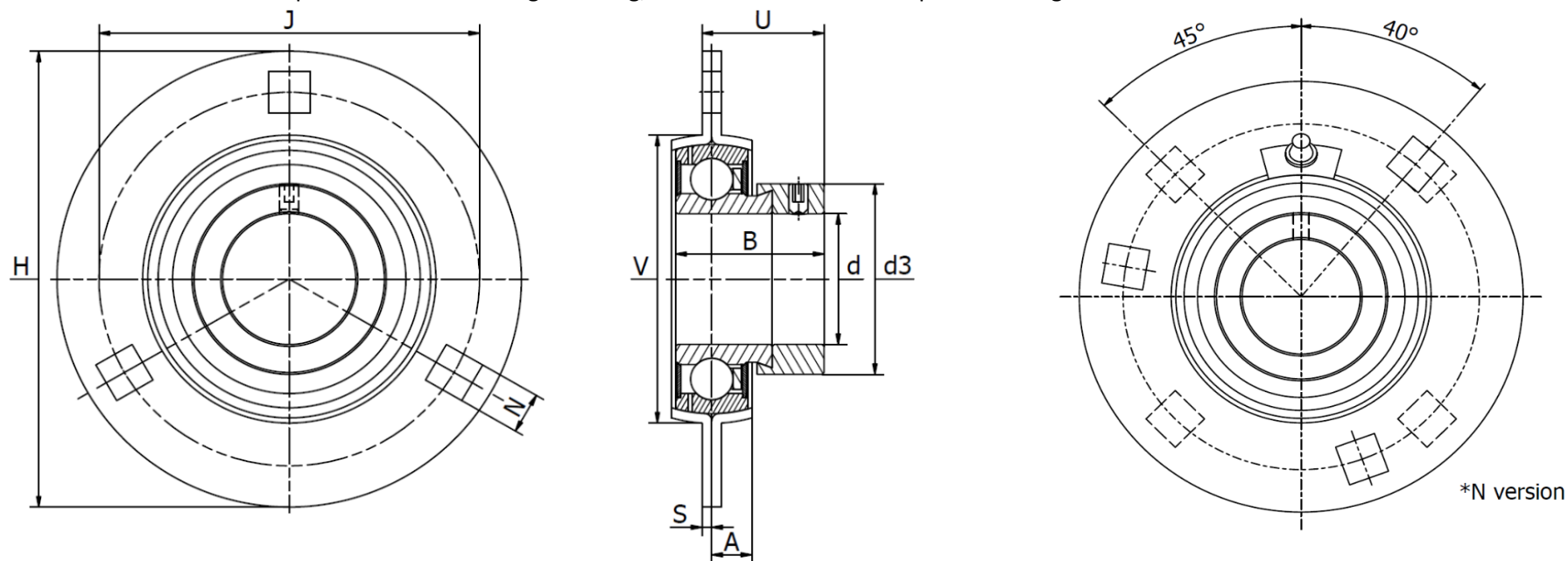




BF .. Series (RA/GRA)

3 & 4 hole round zinc plated sheet steel flange housing, eccentric collar lock. Temperature range -30°C to +110°C



Part No.	Dimensions (mm)												Bearing No.	Housing No.	Weight (kg)
	d mm	H	B	A	d _{3 max}	J	N	n**	S	U	V				
BF 12	12	81	28,6	7,0	28,0	63,0	7,0	3	2,0	24,0	48	SA 201	PF 203	0,23	
BF 15	15	81	28,6	7,0	28,0	63,0	7,0	3	2,0	24,0	48	SA 202	PF 203	0,23	
BF 17	17	81	28,6	7,0	28,0	63,0	7,0	3	2,0	24,0	48	SA 203	PF 203	0,23	
BF 20	20	90	31,0	8,5	33,0	71,0	9,0	3	2,0	25,5	55	SA 204	PF 204	0,32	
BF 25*	25	95	31,0	8,7	37,5	76,0	9,0	3	2,0	25,5	60	SA 205	PF 205	0,37	
BF 30*	30	112,7	35,8	8,7	44,0	90,0	11,0	3	2,5	29,2	71	SA 206	PF 206	0,61	
BF 35*	35	122	38,9	10,5	51,0	100,0	11,0	3	2,6	31,9	81	SA 207	PF 207	0,82	
BF 40*	40	148	43,7	10,5	58,0	119,0	14,0	3/4	3,4	36,2	90	SA 208	PF 208	1,36	
BF 45	45	149	43,7	11,0	63,0	120,6	14,0	4	3,4	36,2	95	SA 209	PF 209	1,41	
BF 50	50	158	43,7	13,0	69,0	127,0	13,5	4	4,0	36,7	100	SA 210	PF 210	1,68	
BF 55	55	168	48,4	12,0	76,0	138,0	14,0	4	4,0	40,4	110	SA 211	PF 211	1,39	
BF 60	60	177	53,1	14,0	84,0	148,0	13,5	4	4,0	43,6	120	SA 212	PF 212	2,54	

*Also available with a grease nipple. Add a N as suffix, i.ex. BF 40 N. | **Number of mounting holes.