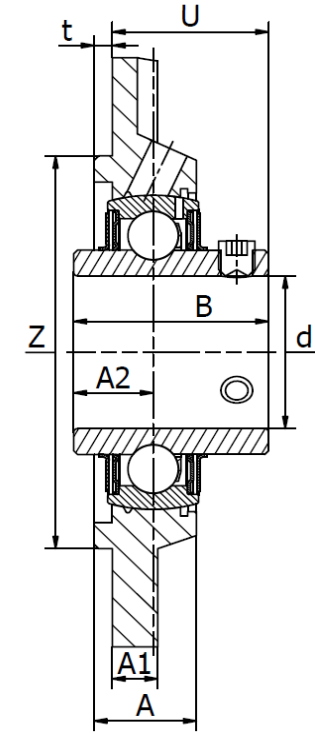
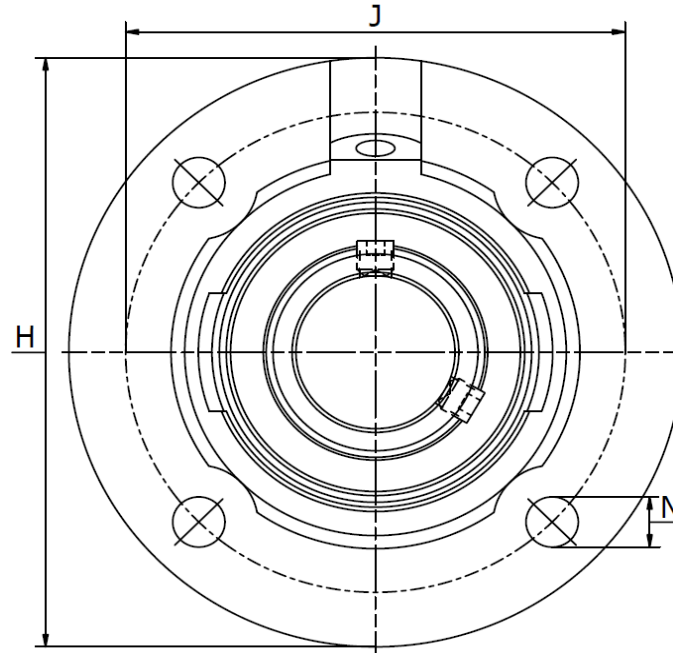




FWSN .. U series (RFEY)

Four-bolt flanged housing units, cast iron, centring spigot, radial insert ball bearing with set screws. Temperature range -30°C to +110°C



Part No.	d	Dimensions (mm)										Bearing No.	Weight (kg)	
	mm	H	B	A	A ₁	A ₂	J	N	Q	t	U			Z
FWSN 25 U	25	115	34,0	22,0	9,0	14,3	92	9,0	Rp 1/8	3	21,2	75 h8	UC 205	0,80
FWSN 30 U	30	127	38,1	22,5	9,5	15,9	105	9,0	Rp 1/8	3	24,9	85 h8	UC 206	1,08
FWSN 35 U	35	135	42,9	22,5	10,0	17,5	110	11,5	Rp 1/8	4	24,6	90 h8	UC 207	1,30
FWSN 40 U	40	145	49,2	26,0	11,5	19,0	120	11,5	Rp 1/8	4	31,8	100 h8	UC 208	1,72
FWSN 45 U	45	155	49,2	26,5	12,0	19,0	130	14,0	Rp 1/8	4	31,8	105 h8	UC 209	2,06
FWSN 50 U	50	165	51,6	27,5	13,0	19,0	136	14,0	Rp 1/8	4	33,0	115 h8	UC 210	2,48
FWSN 60 U	60	195	65,1	33,0	16,0	25,4	165	14,0	Rp 1/8	4	42,8	140 h8	UC 212	3,99