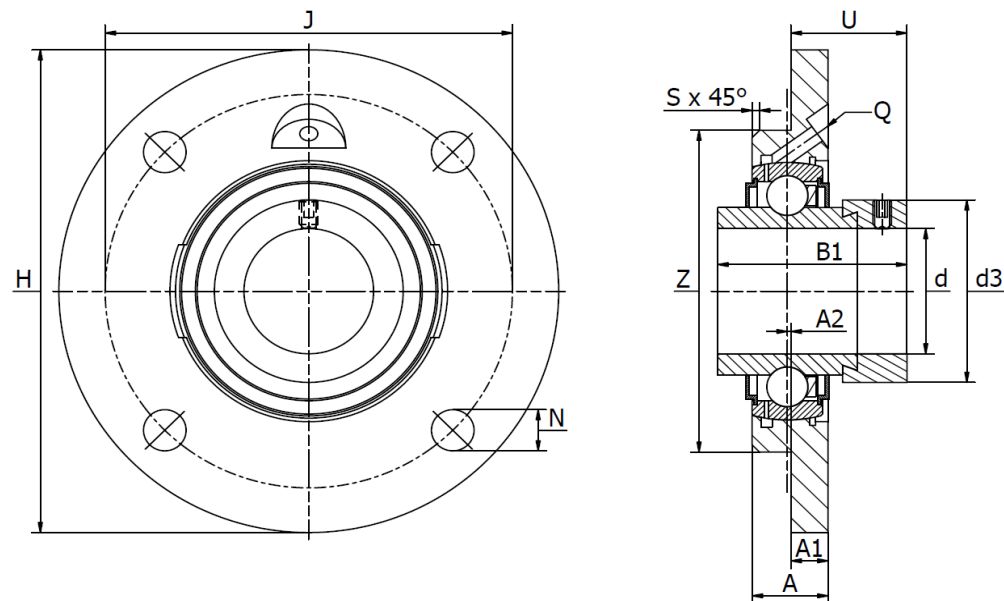




RVFW .. A series (RME)

Eccentric Collar Lock. Temperature range -30°C to +110°C



Part No.	d mm	Dimensions (mm)											Bearing No.	Cover	Weight (kg)	
		H	B ₁	A	A ₁	A ₂	d _{3 max}	J	N	Q	S	U				Z
RVFW 20 A	20	100	43,7	17,0	8,0	2,0	33,0	78	9,0	M6	2	24,6	62	HC 204	N/A	0,57
RVFW 25 A	25	115	44,4	19,0	9,0	2,5	37,5	90	9,0	M6	2	24,4	70	HC 205	KASK05	0,80
RVFW 30 A	30	125	48,4	20,5	9,5	2,0	44,0	100	11,5	M6	2	28,1	80	HC 206	KASK06	1,04
RVFW 35 A	35	135	51,1	20,5	10,0	1,0	51,0	110	11,5	M6	2	31,3	90	HC 207	KASK07	1,34
RVFW 40 A	40	145	56,3	23,0	11,5	1,0	60,3	120	11,5	M6	2	33,9	100	HC 208	KASK08	1,74
RVFW 45 A	45	155	56,3	25,0	12,0	2,0	63,0	130	14,0	M6	2	32,9	105	HC 209	Cover Ø45	2,05
RVFW 50 A	50	165	62,7	25,0	13,0	1,0	69,0	135	14,0	M6	3	37,1	110	HC 210	KASK10	2,53
RVFW 55 A	55	185	71,4	27,5	15,0	0,0	76,0	150	18,0	M6	3	43,6	125	HC 211	N/A	3,37
RVFW 60 A	60	195	77,8	29,0	16,0	1,0	84,0	160	18,0	Rp1/8"	3	45,8	135	HC 212	N/A	3,99
RVFW 65 A	65	215	66,1	32,0	18,0	6,0	96,0	177	18,0	Rp1/8"	6	44,6	150	HC 213-214	N/A	5,81
RVFW 70 A	70	215	66,0	32,0	18,0	0,0	96,0	177	18,0	Rp1/8"	6	44,6	150	HC 214	N/A	5,55
RVFW 75 A	75	220	67,1	32,0	18,0	0,0	100,0	184	18,0	Rp1/8"	6	45,6	160	HC 215	N/A	5,65
RVFW 80 A	80	220	71,0	33,0	18,0	-2,0	108,0	184	18,0	Rp1/8"	6	49,6	160	HC 216	N/A	5,75
RVFW 90 A	90	265	69,5	32,0	20,0	-4,0	118,0	220	23,0	Rp1/8"	3	50,5	190	HC 218	N/A	8,82
RVFW 100 A	100	295	75,0	36,0	22,0	-4,0	132,0	245	23,0	Rp1/8"	3	53,4	210	HC 220	N/A	11,45
RVFW 120 A	120	350	81,0	40,0	24,0	-4,0	152,0	295	27,0	Rp1/8"	3	56,5	250	HC 224	N/A	17,43