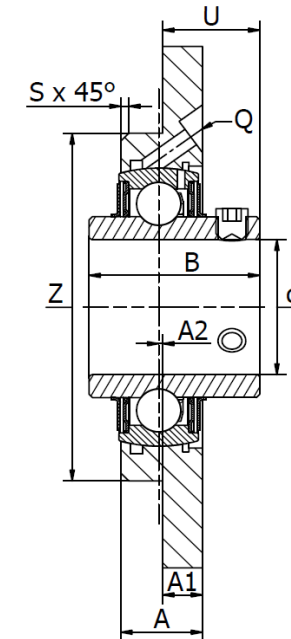
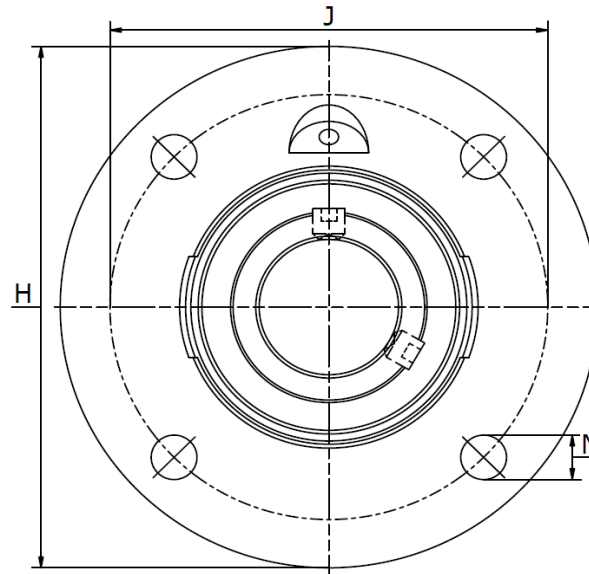
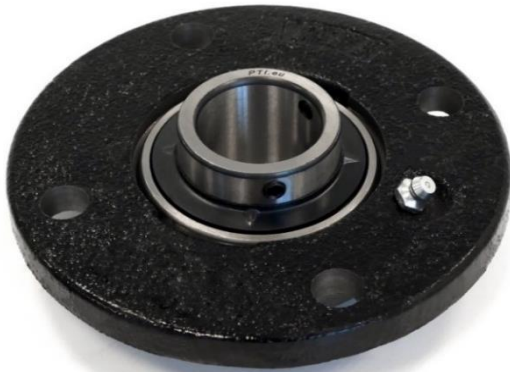


PTI RVFW .. U series (RMEY)

Housing with centring spigot, radial insert ball bearing with set screws. Temperature range -30°C to +110°C



Part No.	d mm	Dimensions (mm)											Bearing No.	Cover	Weight (kg)
		H	B	A	A ₁	A ₂	J	N	Q	S	U	Z			
RVFW 20 U	20	100	31	17,0	8,0	2,0	78	9,0	M6	2	16,3	62	UC 204	N/A	0,54
RVFW 25 U	25	115	34,1	19,0	9,0	2,5	90	9,0	M6	2	17,3	70	UC 205	KASK05	0,75
RVFW 30 U	30	125	38,1	20,5	9,5	2,0	100	11,5	M6	2	20,2	80	UC 206	KASK06	0,99
RVFW 35 U	35	135	42,9	20,5	10,0	1,0	110	11,5	M6	2	24,4	90	UC 207	KASK07	1,28
RVFW 40 U	40	145	49,2	23,0	11,5	1,0	120	11,5	M6	2	29,2	100	UC 208	KASK08	1,65
RVFW 45 U	45	155	49,2	25,0	12,0	2,0	130	14,0	M6	2	28,2	105	UC 209	Cover Ø45	1,94
RVFW 50 U	50	165	51,6	25,0	13,0	1,0	135	14,0	M6	3	31,6	110	UC 210	KASK10	2,33
RVFW 55 U	55	185	55,6	27,5	15,0	0,0	150	18,0	M6	3	33,4	125	UC 211	N/A	3,05
RVFW 60 U	60	195	65,1	29,0	16,0	1,0	160	18,0	Rp1/8"	3	38,7	135	UC 212	N/A	3,47
RVFW 65 U	65	215	74,6	29,0	18,0	6,0	177	18,0	Rp1/8"	6	44,4	150	UCX 213	N/A	5,35
RVFW 70 U	70	215	74,6	32,0	18,0	0,0	177	18	Rp1/8"	6	44,4	150	UC 214	N/A	5,10
RVFW 75 U	75	220	77,8	32,0	18,0	0,0	184	18	Rp1/8"	6	44,5	160	UCX 215	N/A	5,19
RVFW 80 U	80	220	82,6	31,0	18,0	2,0	184	18	Rp1/8"	6	51,3	160	UC 216	N/A	5,73
RVFW 90 U	90	265	96	32,0	20,0	4,0	220	23	Rp1/8"	3	60,3	190	UC 218	N/A	9,30
RVFW 100 U	100	295	108,0	36,0	22,0	4,0	245	23,0	Rp1/8"	3	74,0	210	UC 220	N/A	11,80