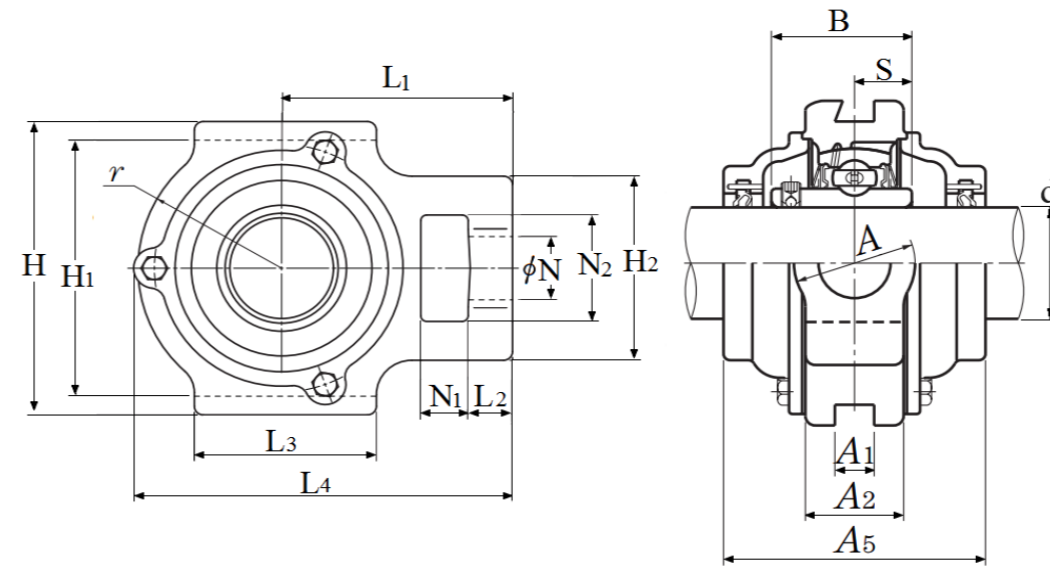
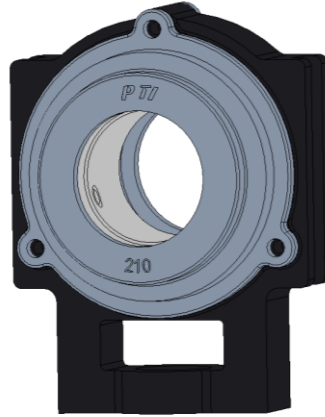




C-UCT 200 Series (TU/TUJ .. TF)

Cast Dust Cover, Open End, Set Screw Locking. Temperature range -30°C to +110°C.



Product No.	d mm	Dimensions (mm)											Bearing		Housing	Weight (kg)				
		N ₁	L ₂	H ₂	N ₂	N	L ₃	A ₁	H ₁	H	L ₄	A	A ₂	L ₁	B		S	A ₅	No.	No.
C-UCT 204	20	16,0	10,0	51,0	32,0	19	51,0	12,0	76	89	94	32,0	21	61,0	31	12,7	62	UC 204	T 204	1,00
C-UCT 205	25	16,0	10,0	51,0	32,0	19	51,0	12,0	76	89	97	32,0	24	62,0	34	14,3	70	UC 205	T 205	1,10
C-UCT 206	30	16,0	10,0	56,0	37,0	22	57,0	12,0	89	102	113	37,0	28	70,0	38,1	15,9	75	UC 206	T 206	1,30
C-UCT 207	35	16,0	13,0	64,0	37,0	22	64,0	12,0	89	102	129	37,0	30	78,0	42,9	17,5	80	UC 207	T 207	2,20
C-UCT 207 / 13,5	35	16,0	13,0	64,0	37,0	22	64,0	13,5	89	102	129	37,0	30	78,0	42,9	17,5	80	UC 207	WS 207	2,20
C-UCT 208	40	19,0	16,0	83,0	49,0	29	83,0	16,0	102	114	144	49,0	33	88,0	49,2	19,0	90,0	UC 208	T 208	3,20
C-UCT 208 / 17,5	40	19,0	16,0	83,0	49,0	29	83,0	17,5	101	114	144	49,0	33	88,0	49,2	19,0	90,0	UC 208	WS 208	3,20
C-UCT 209	45	19,0	16,0	83,0	49,0	29	83,0	16,0	102	117	144	49,0	35	87,0	49,2	19,0	95,0	UC 209	T 209	3,40
C-UCT 209 / 17,5	45	19,0	16,0	83,0	49,0	29	83,0	17,5	101	117	144	49,0	35	87,0	49,2	19,0	95,0	UC 209	WS 209	3,40
C-UCT 210	50	19,0	16,0	83,0	49,0	29	86,0	16,0	102	117	149	49,0	37	90,0	51,6	19,0	100,0	UC 210	T 210	3,60
C-UCT 210 / 17,5	50	20,5	15,5	82,5	49,5	29	81,5	17,5	101	118	149	49,5	37	90,5	51,6	19,0	100,0	UC 210	WS 210	3,60
C-UCT 211	55	25,0	19,0	102,0	64,0	35	95,0	22,0	130	146	171	64,0	38	106,0	55,6	22,2	100	UC 211	T 211	6,10
C-UCT 211 / 27	55	25,0	19,0	102,0	64,0	35	95,0	27,0	130	146	171	64,0	38	106,0	55,6	22,2	100	UC 211	WS 211	6,10
C-UCT 212	60	32,0	19,0	102,0	64,0	35	102,0	22,0	130	146	194	64,0	42	119,0	65,1	25,4	115	UC 212	T 212	6,30
C-UCT 213	65	32,0	21,0	111,0	70,0	41	121,0	26,0	151	167	224	70,0	44	137,0	65,1	25,4	120	UC 213	T 213	8,50
C-UCT 214	70	32,0	21,0	111,0	70,0	41	121,0	26,0	151	167	224	70,0	46	137,0	74,6	30,2	135	UC 214	T 214	9,20
C-UCT 215	75	32,0	21,0	111,0	70,0	41	121,0	26,0	151	167	232	70,0	48	140,0	77,8	33,3	135	UC 215	T 215	9,80
C-UCT 216	80	32,0	21,0	111,0	70,0	41	121,0	26,0	165	184	235	70,0	51	140,0	82,6	33,3	145	UC 216	T 216	11,00
C-UCT 217	85	38,0	29,0	124,0	73,0	48	157,0	30,0	173	198	260	73,0	54	162,0	85,7	34,1	155	UC 217	T 217	14,00