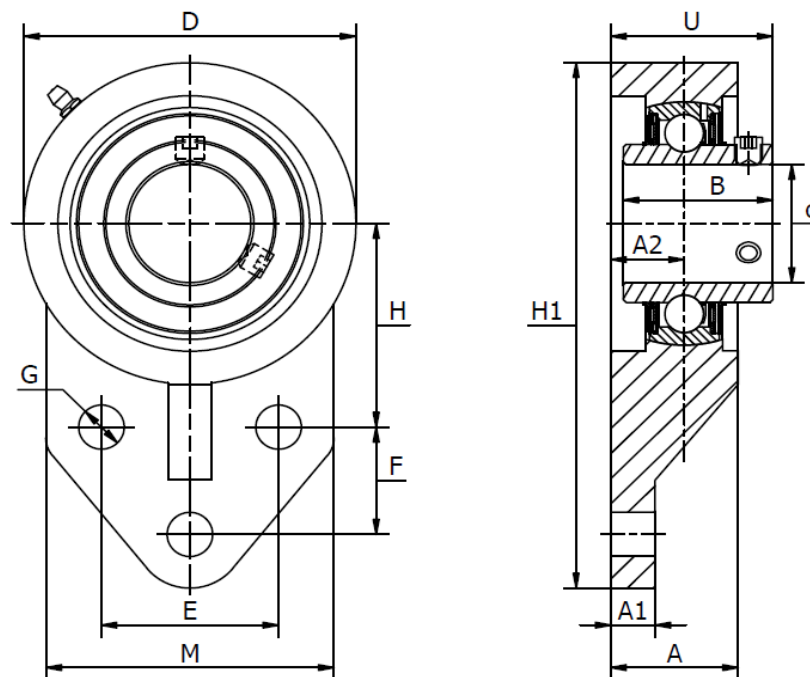




UCFB 200 PPSS Series

3-bolt flanged bracket, thermoplastic, stainless steel bearing with set screw lock.



Part No.	d mm	Dimensions (mm)												Bearing No.	Weight (kg)	Optional cover
		H ₁	A	A ₁	D	E	F	G	H	A ₂	B	U	M			
UCFB 204 PPSS	20	108,5	26,2	12,0	62,0	38,1	22,2	11	42,9	15,4	31,0	33,7	62,0	UC 204 SS	0,50	EC 204
UCFB 205 PPSS	25	120,6	33,5	12,0	68,5	41,3	28,6	11	46,0	21,0	34,1	40,8	63,5	UC 205 SS	0,60	EC 205
UCFB 206 PPSS	30	140,0	31,5	14,0	83,0	47,6	31,8	11	52,4	19,0	38,1	41,2	75,0	UC 206 SS	0,90	EC 206

Housing:

Material: PBT (polybutylene terephthalate), solid base.
 Operating temperatures: -20°C to +120°C
 Grease nipple: AISI 304 Stainless
 Grease: Mobil FM 222 Food Grade FDA & NSF approved

Bearing Inserts:

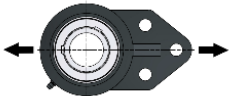
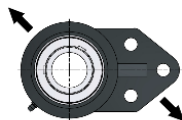
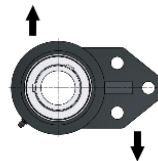
Inner & outer races, balls: AISI 420-440 Stainless
 Cage: AISI 302 Stainless
 Seals: Rubber & AISI 302 Stainless
 Set screws: AISI 420 Stainless

See next page for breaking load



UCFB 200 PPSS Series

3-bolt flanged bracket, thermoplastic, stainless steel bearing with set screw lock.

Breaking Point Test (kgs)							
Mode of load	201	202	203	204	205	206	207
	9200	9200	9200	9200	11100	11800	11900
	7200	7200	7200	7200	9100	12200	12900
	2600	2600	2600	2600	2800	2900	3100