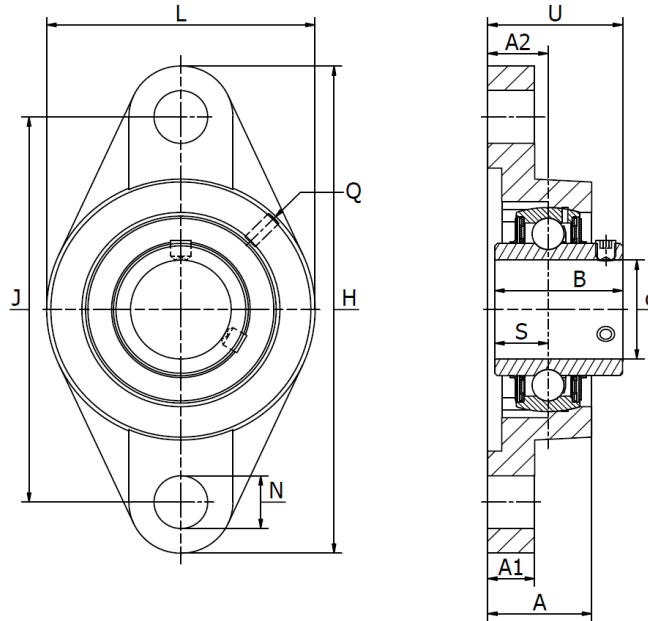




UCFL 200 PPSS Series (SUCTFL 200 / RCJTY-TV-VA)

Thermoplastic two-bolt flanged housing units, FDA & NSF approved grease. Stainless steel normal duty bearing, set screw locking.



| Part No. | d mm | Dimensions (mm) | | | | | | | | | | Bolt Size | Bearing No. | Housing No. | Weight (kg) | Optional covers | | |
|--------------------------|---------|-----------------|-----|------|----------------|----------------|------|------|----|------|------|--------------|----------------|----------------|----------------|-----------------|--------|----------|
| | | H | J | L | A ₂ | A ₁ | A | U | N | B | S | | | | | Q | Closed | Open |
| UCFL 204PPSS (SUCTFL204) | 20 | 113 | 90 | 64 | 15,4 | 12 | 26,5 | 33,7 | 11 | 31,0 | 12,7 | M6 | M10 | UC 204 SS | TFL204 | 0,3 | EC204 | EC204 OP |
| UCFL 205PPSS (SUCTFL205) | 25 | 131 | 99 | 69,5 | 17 | 14 | 29,5 | 36,8 | 11 | 34,1 | 14,3 | M6 | M10 | UC 205 SS | TFL205 | 0,4 | EC205 | EC205 OP |
| UCFL 206PPSS (SUCTFL206) | 30 | 148 | 117 | 79 | 19 | 14 | 30,5 | 41,2 | 11 | 38,1 | 15,9 | M6 | M10 | UC 206 SS | TFL206 | 0,7 | EC206 | EC206 OP |
| UCFL 207PPSS (SUCTFL207) | 35 | 163,5 | 130 | 90 | 18 | 16 | 32,8 | 43,4 | 13 | 42,9 | 17,5 | M6 | M12 | UC 207 SS | TFL207 | 0,9 | EC207 | EC207 OP |
| UCFL 208PPSS (SUCTFL208) | 40 | 175 | 144 | 99 | 21,5 | 20 | 37,5 | 51,7 | 14 | 49,2 | 19 | M6 | M12 | UC 208 SS | TFL208 | 1,1 | EC208 | EC208 OP |

Housing:

Material: PBT (polybutylene terephthalate), solid base.
 Operating temperatures: -20°C to +120°C
 Grease nipple: AISI 304 Stainless
 Grease: Mobil FM 222 Food Grade FDA & NSF approved
 Mounting bolt bushing: AISI 304 Stainless

Bearing Inserts:

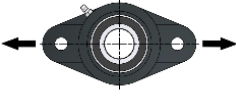
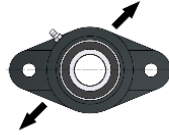
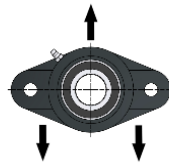
Inner & outer races, balls: AISI 420-440 Stainless
 Cage: AISI 302 Stainless
 Seals: Rubber & AISI 302 Stainless
 Set screws: AISI 420 Stainless

See next page for breaking load



UCFL 200 PPSS Series (SUCTFL 200 / RCJTY-TV-VA)

Thermoplastic two-bolt flanged housing units, FDA & NSF approved grease. Stainless steel normal duty bearing, set screw locking.

| Breaking Point Test (kgs) | | | | | | | |
|--|-------|-------|-------|-------|-------|-------|-------|
| Mode of load | 204 | 205 | 206 | 207 | 208 | 209 | 210 |
|  | 11250 | 11385 | 16450 | 16900 | 17350 | 17600 | 17950 |
|  | 11000 | 13850 | 13350 | 13950 | 14050 | 14300 | 14550 |
|  | 8500 | 11100 | 14200 | 14900 | 15150 | 15350 | 15650 |