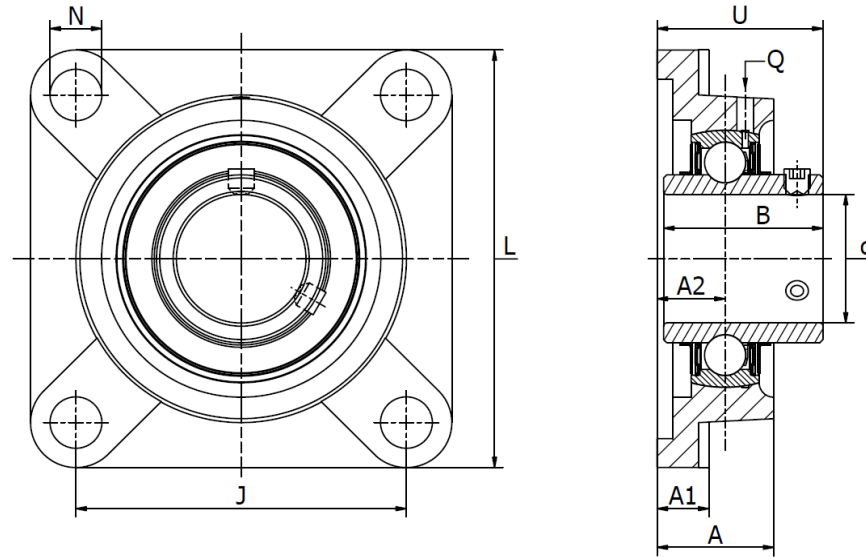




UCF 200 PPSS Series (SUCTF 200)

Thermoplastic four-bolt flanged housing units, FDA & NSF approved grease. Stainless steel normal duty bearing, set screw locking.



Part No.	d mm	Dimensions (mm)										Bolt Size	Bearing No.	Housing No.	Optional covers		Weight (kg)
		L	J	B	A ₂	A ₁	A	U	B	N	Q				Closed	Open	
UCF 204PPSS (SUCTF204)	20	86	63,5	31,0	18	14	27,8	33,3	31,0	11,0	M6	M10	UC 204 SS	TF204	EC204	EC204 OP	0,30
UCF 205PPSS (SUCTF205)	25	95	70	34,0	17	14,5	28,0	35,7	34,1	11,0	M6	M10	UC 205 SS	TF205	EC205	EC205 OP	0,40
UCF 206PPSS (SUCTF206)	30	107	83	38,0	19,2	14,3	31,5	40,2	38,1	11,0	M6	M10	UC 206 SS	TF206	EC206	EC206 OP	0,70
UCF 207PPSS (SUCTF207)	35	117	92	42,9	21,5	16	34,8	44,4	42,9	13,0	M6	M12	UC 207 SS	TF207	EC207	EC207 OP	0,90
UCF 208PPSS (SUCTF208)	40	128,5	102	49,2	23	17,5	36,5	51,2	49,2	14,0	M6	M12	UC 208 SS	TF208	EC208	EC208 OP	1,10
UCF 209PPSS (SUCTF209)	45	137	105	49,2	24	19,5	41,0	52,2	49,2	17,0	M6	M14	UC 209 SS	TF209	-	-	1,30
UCF 210PPSS (SUCTF210)	50	143	111	51,6	24	20	41,0	56,6	51,6	17,0	M6	M14	UC 210 SS	TF210	-	-	1,50

Housing:

Material: PBT (polybutylene terephthalate), solid base.
 Operating temperatures: -20°C to +120°C
 Grease nipple: AISI 304 Stainless
 Grease: Mobil FM 222 Food Grade FDA & NSF approved
 Mounting bolt bushing: AISI 304 Stainless

Bearing Inserts:

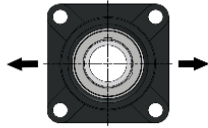
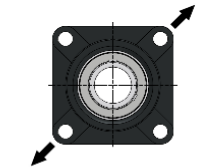
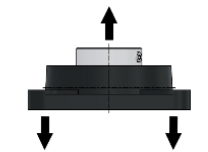
Inner & outer races, balls: AISI 420-440 Stainless
 Cage: AISI 302 Stainless
 Seals: Rubber & AISI 302 Stainless
 Set screws: AISI 420 Stainless

See next page for breaking loads



UCF 200 PPSS Series (SUCTF 200)

Thermoplastic four-bolt flanged housing units, FDA & NSF approved grease. Stainless steel normal duty bearing, set screw locking.

Breaking Point Test (kgs)							
Mode of load	204	205	206	207	208	209	210
	12950	13000	17000	18500	19100	19350	19650
	10250	12150	17700	18500	19250	19350	19620
	3250	3350	3380	3520	3790	3850	3990