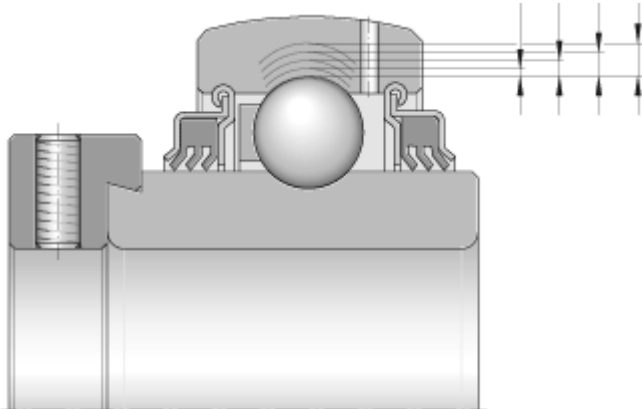


Insert Bearing Internal Clearances



Our radial bearing inserts are supplied with a slightly larger internal radial clearance than standard single row ball bearings. This allows for better support of misalignments and shaft deflections.

Majorities of these bearings are supplied with a C3 clearance, types like UC, HC, SA, SB etc.

Insert bearings for adapter sleeve locking are supplied with a greater clearance C4, to accommodate the expansion of the adapter sleeve bushing. Types like UK and GSH.

High temperature bearing inserts are also supplied with a higher clearance of C4 and C5.

Nominal bearing bore diameter d (mm)		Internal clearance μm										
		C2		CN		C3		C4		C5		
Over	Incl.	Min.	Max.	Min.	Max.	Min.	Max.	Min.	Max.	Min.	Max.	
6	10	0	7	2	13	8	23	14	29	20	37	
10	18	0	9	3	18	11	25	18	33	25	45	
18	24	0	10	5	20	13	28	20	36	28	48	
24	30	1	11	5	20	13	28	23	41	30	53	
30	40	1	11	6	20	15	33	28	46	40	64	
40	50	1	11	6	23	18	36	30	51	45	73	
50	65	1	15	8	28	23	43	38	61	55	90	
65	80	1	15	10	30	25	51	46	71	65	105	
80	100	1	18	12	36	30	58	53	84	75	120	
100	120	2	20	15	41	36	66	61	97	90	140	
120	140	2	23	18	48	41	81	71	114	105	160	