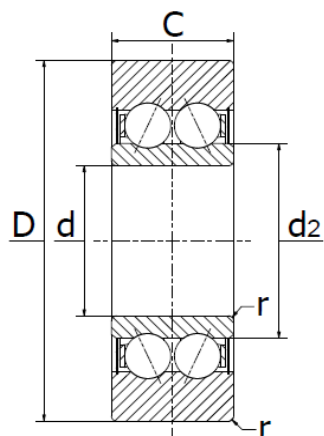
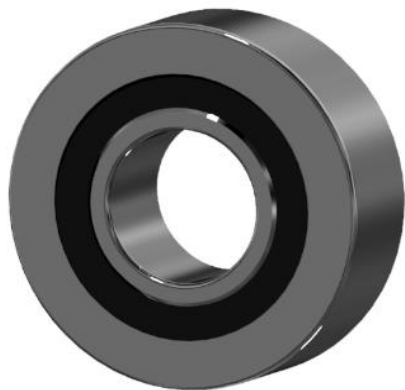




LR5200KDD Series - Track Rollers (LR5200-X-2Z)

Double row, sealed on both sides, cylindrical outer race



Legend:

- Crw** Effective dynamic load rating as track roller (radial)
- C0rw** Effective static load rating as track roller (radial)
- Curw** Fatigue limit load
- Fr per** Limiting load on outer ring
- nDG** Speed (with continuous operation and grease lubrication)

Part No.	Dimensions (mm)					Mass kg	Load rating (N)				nDG (1/min)
	d	D	C	d2	rmin		Crw	C0rw	Curw	Fr per	
LR5200KDD	10	32	14,0	17,0	0,6	0,07	7200	4900	250	4900	9200
LR5201KDD	12	35	15,9	19,1	0,6	0,08	8800	6100	315	4800	8100
LR5202KDD	15	40	15,9	21,0	0,6	0,11	10800	7700	390	7700	7400
LR5203KDD	17	47	17,5	24,4	0,6	0,17	13700	10100	510	10100	6300
LR5204KDD	20	52	20,6	29,2	1,0	0,23	16900	12700	600	10200	5300
LR5205KDD	25	62	20,6	34,2	1,0	0,34	19700	15900	820	15900	4500
LR5206KDD	30	72	23,8	40,3	1,0	0,51	26500	22000	1140	22000	3800
LR5207KDD	35	80	27,0	47,0	1,1	0,66	33000	27500	1450	222000	3100
LR5208KDD	40	85	30,2	52,8	1,1	0,75	36500	31000	1640	16300	2900