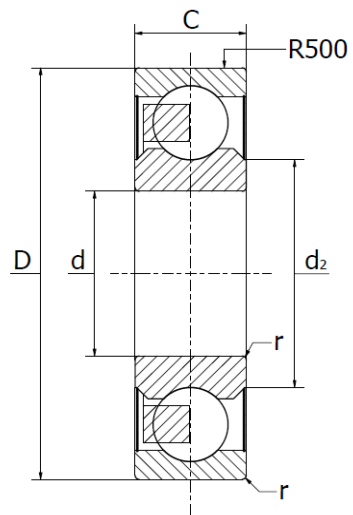
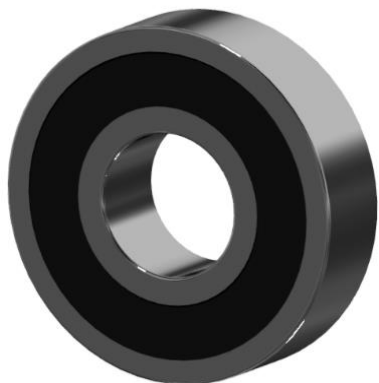




LR6000NPPU Series - Track Rollers (LR6000-2RSR)

Sealed on both sides



Legend:

- R** Crowning radius
- Crw** Effective dynamic load rating as track roller (radial)
- C0rw** Effective static load rating as track roller (radial)
- Curw** Fatigue limit load
- nDG** Speed (with continuous operation and grease lubrication)

| Part No. | Dimensions (mm) | | | | | | Mass kg | Load rating (N) | | | nDG (1/min) |
|------------|-----------------|----|---|------|-----|------|------------|-----------------|------|------|----------------|
| | d | D | C | d2 | R | rmin | | Crw | C0rw | Curw | |
| LR604NPPU | 4 | 13 | 4 | 6,1 | 500 | 0,2 | 0,01 | 920 | 360 | 19 | 24000 |
| LR605NPPU | 5 | 16 | 5 | 7,5 | 500 | 0,2 | 0,01 | 1290 | 510 | 27 | 23000 |
| LR606NPPU | 6 | 19 | 6 | 8,7 | 500 | 0,3 | 0,01 | 1940 | 810 | 41 | 22000 |
| LR607NPPU | 7 | 22 | 6 | 9,0 | 500 | 0,3 | 0,01 | 2250 | 890 | 44 | 20000 |
| LR608NPPU | 8 | 24 | 7 | 10,0 | 500 | 0,3 | 0,02 | 2950 | 1280 | 64 | 19000 |
| LR6000NPPU | 10 | 28 | 8 | 14,6 | 500 | 0,3 | 0,02 | 5000 | 2550 | 130 | 16000 |
| LR6001NPPU | 12 | 30 | 8 | 16,6 | 500 | 0,3 | 0,03 | 5300 | 2800 | 148 | 15000 |
| LR6002NPPU | 15 | 35 | 9 | 18,6 | 500 | 0,3 | 0,04 | 5400 | 3050 | 159 | 13000 |