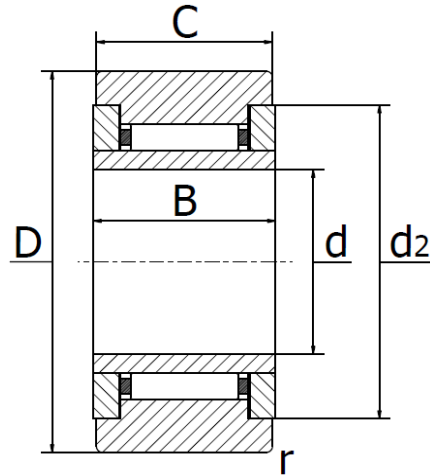
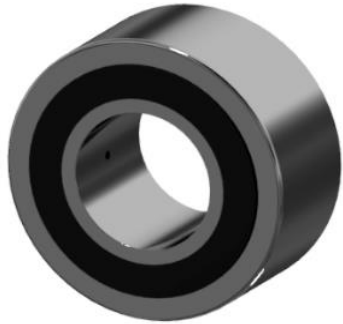




NATR (PP) Series - Yoke type track rollers

With axial guidance, gap seals on both sides or axial plain washers (suffix PP)



Legend:

- R** Crowning radius
- Crw** Effective dynamic load rating as track roller (radial)
- C0rw** Effective static load rating as track roller (radial)
- Curw** Fatigue limit load
- nDG** Speed (with continuous operation and grease lubrication)

Part No.	Dimensions (mm)					Mass			Load rating(N)			nDG
	d	D	B	C	d2	R	rmin	g	Crw	C0rw	Curw	(1/min)
NATR5	5	16	12	11	12,5	500	0,15	14	3150	3400	460	14000
NATR6	6	19	12	11	15,0	500	0,15	20	3500	4050	550	11000
NATR8	8	24	15	14	19,0	500	0,30	41	5500	6700	940	7500
NATR10PP	10	30	15	14	23,0	500	0,60	64	6800	8700	1240	5500
NATR12PP	12	32	15	14	25,0	500	0,60	71	7000	9200	1320	4500
NATR15PP	15	35	19	18	27,6	500	0,60	101	9700	14500	1860	3600
NATR17PP	17	40	21	20	31,5	500	1,00	144	10900	16000	2130	2900
NATR20PP	20	47	25	24	36,5	500	1,00	246	15400	26000	3450	2400
NATR25PP	25	52	25	24	41,5	500	1,00	275	15300	27000	3600	1800
NATR30PP	30	62	29	28	51,0	500	1,00	470	23200	39500	5300	1300
NATR35PP	35	72	29	28	58,0	500	1,10	547	24800	45000	6000	1000
NATR40PP	40	80	32	30	66,0	500	1,10	795	32000	59000	8400	850
NATR50PP	50	90	32	30	76,0	500	1,10	867	31000	60000	8500	650